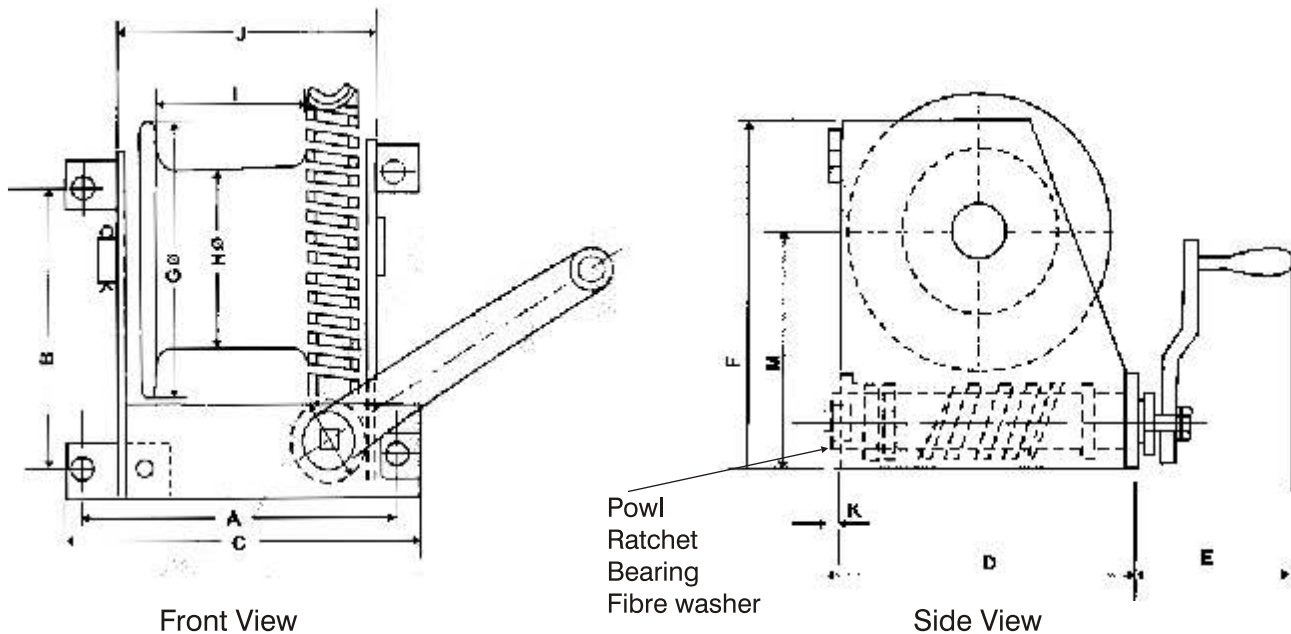


# Winches

## Worm and Worm Wheel Type Mechanically Operated, Wall Mounted Winch



Capacity (Kg)	A	B	C	D	E	F	G	H	I	J	K	L	M
250	204	104	221	165	175	213	118	69	104	170	6.7	14	95
500	254	215	317	254	181	263	203	130	130	222	9.3	14	182
1000	254	215	317	254	181	263	203	130	130	222	12.7	17	182
1500	310	215	360	275	235	267	200	129	177	267	28.0	14	178
2000	349	241	381	304	250	300	300	184	206	305	12.7	17	210
3000	349	241	381	304	260	308	300	184	206	305	15.5	19	210
5000	400	315	480	570	400	500	335	225	250	460	20.0	33	315

All dimensions are in mm

Specifications given are indicative and are subject to change.

### NOTE

- Drum : Graded Cast Iron
- Worm : EN 8 or 9 heat treated
- Wretch : EN 8 or 9 heat treated
- Bearing : Thrust
- Side plate : Mild Steel
- Thickness of side plate : 8 mm