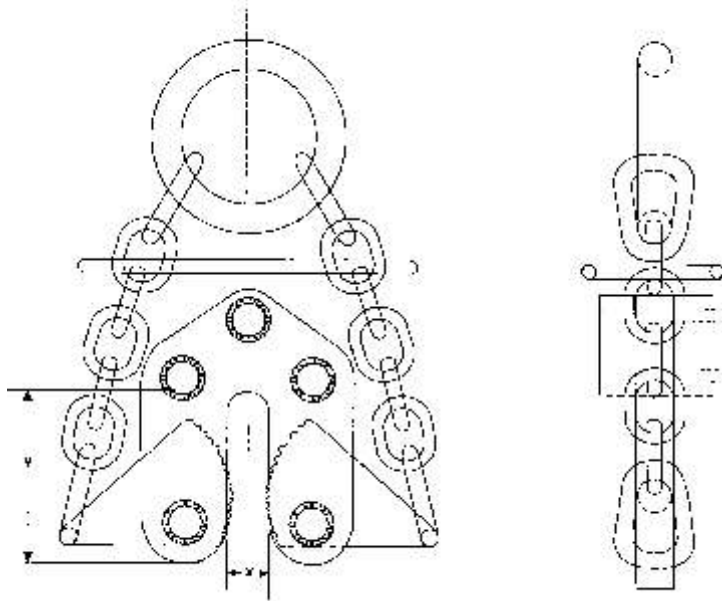


Vertical Plate Lifting Tackle

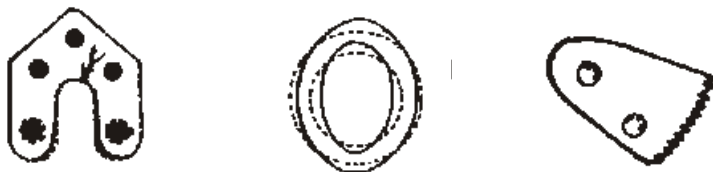
Double Cam Operated



Lifting Capacity (Tons)	Plate Admit x (mm)	Throat Depth y (mm)
1	0-28	105
2	0-30	105
3	0-45	128
5	0-45	128
7	0-80	185
10	0-80	185

Dimension x can be altered as per customer's requirement

WHEN TO DISCARD



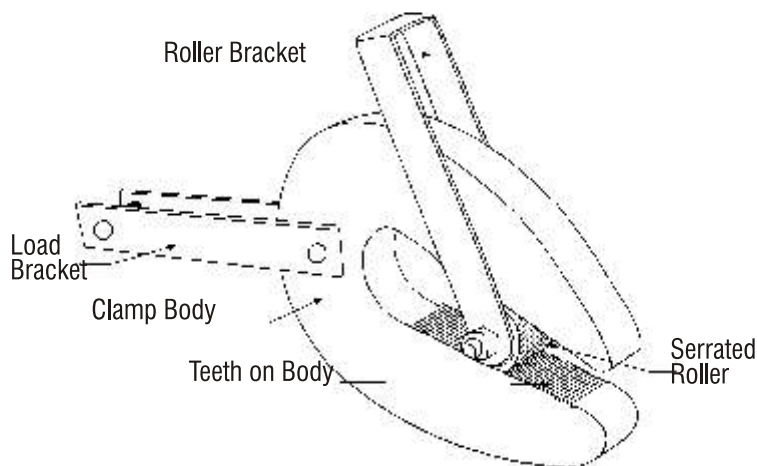
DISCARD

1. Flaws in main body
2. When clearance exceeds 1mm between clamps
3. Widening of opening when ring elongates
4. Jaw damages

Warning :

1. Do not exceed working load limit.
2. Inspect clamp before each lift.
3. Do not lift more than one plate or sheet at a time.
4. Position clamp to balance load.
5. Insert plate or unit to full depth of throat opening.
6. Lift slowly and smoothly. Do not jerk load.
7. Stand clear of load when lifting.
8. Do not use a damaged clamps.
9. Read manufacturer's instructions before using clamps.

Vertical Plate Lifting Clamp - Roller Type Clamp



ROLLER & PLATE GRIP CLAMP
TYPE-RPGC



SINGLE JAW CLAMP
TYPE-VSJC



SINGLE JAW CHAIN CLAMP
TYPE-VSJCC

Specifications given are indicative and are subject to change.