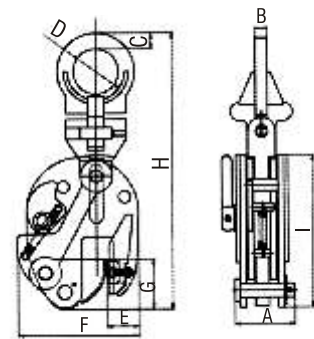


Vertical Plate Lifting Clamp

- DSQ Vertical Plate Lifting clamps are used for lifting and turning over plates from horizontal to vertical positions.
- DSQ Vertical Plate Lifting clamps are made with hardened steel jaws for firm grip and proper locking.
- DSQ Vertical Plate Lifting clamps in a small easy to handle tool, incorporated with a spring lock which facilitates attaching of the clamps to the plates.

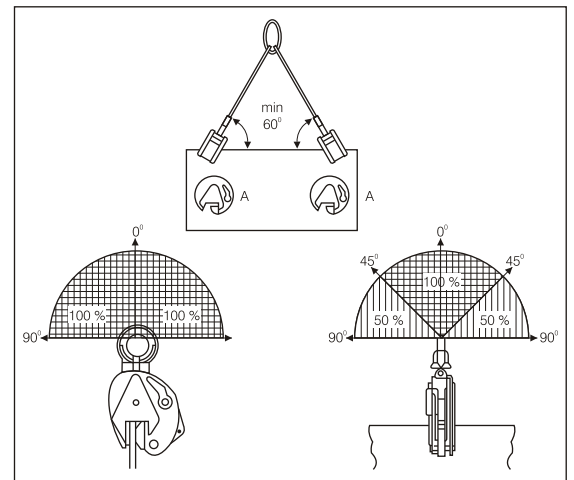


Model : DSQ



WARNING:

- Do not exceed Working Load Limits
- Avoid Superficial Gripping
- Do not exceed specified angle of Lift (Not more than 60°)
- Check the cams periodically for excessive wear and tear and reject if found unsafe.



Art No.	WILL	Steel Plate thickness	mm									Opening (mm)	Weight (Kg)
			A	B	C	D	E	F	G	H	I		
DSQ1	1	0-16	59	12	16	45	32	122	73	277.5	155	50	3.7
DSQ2	2	0-22	61	16	23	55	45	165	90	340	190	55	6.3
DSQ3	3	5-30	72	16	28	60	55	195	110	374	227	70	10.5
DSQ5	5	16-50	82	20	33	70	70	250	135	458	275	90	19.3
DSQ8	8	40-80	100	25	40	80	80	345	175	568	370	130	40
DSQ12	12	50-90	107	28	45	90	105	430	182	635	380	150	52
DSQ16	16	60-100	107	41	50	100	115	455	200	650	410	160	55

Specifications given are indicative and are subject to change.