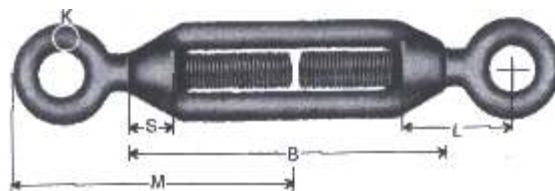
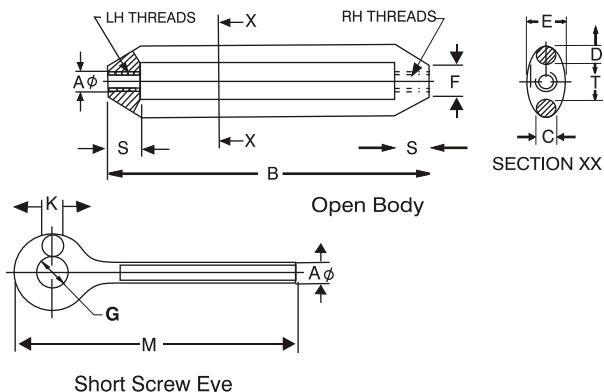
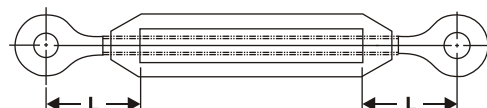


Straining Screws / Turn Buckles



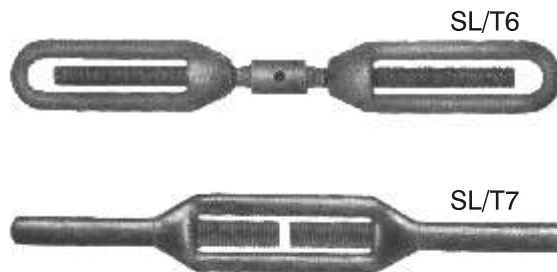
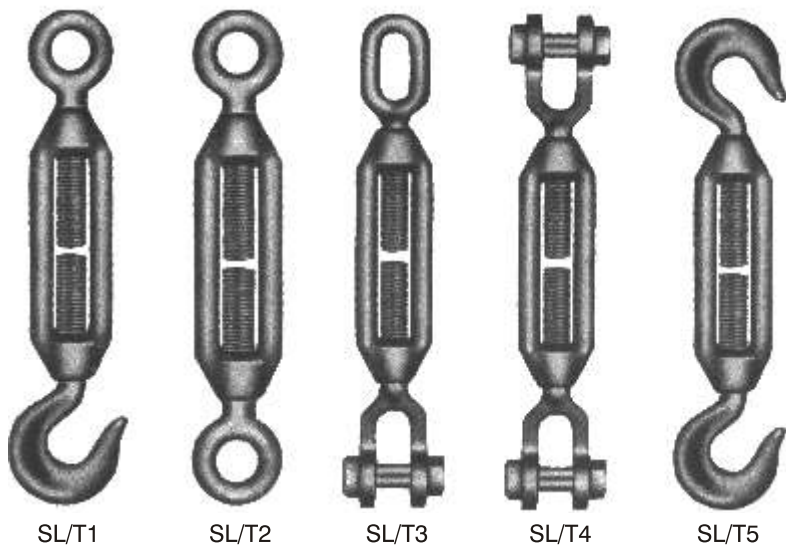
Assembly of double ended type stretching screw



Assembly of Double Ended Type Stretching Screw

Nominal Size		Assembly and Body					Screw Eye		Proof Load	Safe Working Load
A	B	D	E	L	S	G	K	M	kN	kN
M6	100	5	12	32	10	9	6	80	2.0	1.0
M8	125	6	16	35	13	13	8	100	3.0	1.5
M10	160	8	19	45	15	16	10	130	6.0	3.0
M12	200	10	22	54	18	19	12	150	9.0	4.0
M14	225	12	25	60	21	22	12	175	12.0	6.0
M16	250	14	29	66	24	24	14	200	15.2	7.6
M20	315	16	33	80	30	30	16	230	22.4	11.2
M22	355	18	41	88	32	33	18	270	32.4	16.2
M24	400	20	43	100	35	36	18	310	40.0	20.0
M30	450	22	50	120	42	44	24	350	63.0	31.5
M36	450	28	60	135	50	52	28	380	90.0	45.0
M45	450	36	75	165	60	67	35	415	142.0	71.0
M52	450	40	100	190	70	80	42	450	190.0	95.0

Nominal Size								
A Dia	J	K	L	M	N	P	Q	G
M12	12	9.5	30	165	115	29	12	M12
M16	19	9.5	50	185	115	32	12	M14
M20	22	12	60	195	115	35	16	M16
M24	25	12	65	240	150	42	19	M20
M27	29	12	70	270	175	48	22	M22
M30	32	14	75	280	175	54	25	M27
M33	35	14	85	300	190	60	25	M30
M36	39	16	90	315	190	60	29	M30
M39	42	19	100	335	200	66	32	M33
M45	52	22	115	350	200	80	38	M39
M52	54	25	125	370	200	95	45	M45
M56	60	29	125	375	200	100	48	M52
M60	70	29	135	380	200	110	52	M52
M64	60	29	135	508	290	127	52	M58
M68	67	28	145	553	310	142	56	M64
M75	73	30	160	596	330	157	64	M70
M80	79	32	175	640	350	175	72	M76
M90	84	34	190	684	370	193	76	M85



Other types of Turnbuckles

Meets IS: 3121-1981

Specifications given are indicative and are subject to change.