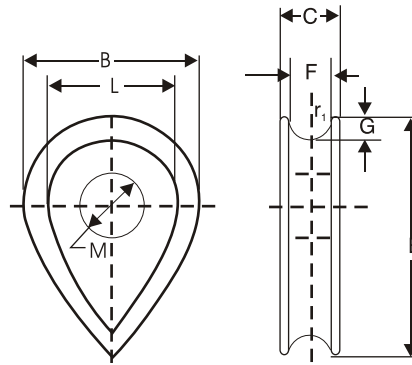


Thimble for Wire Ropes

Solid Thimbles



All dimensions in millimetres.

Nominal Size of Rope	B	C	E	F Min	G	r1	L	*M Max
08	33	11	46	9	4	3.5	25	12
10	44	15	56	11	6	5.5	32	16
12	60	20	82	13	8	7.5	44	22
14	60	21	82	15	8	7.5	44	22
16	70	23	94	17	10	29.5	50	25
18	80	26	104	19	12	11.0	56	28
20	88	28	116	21	12	11.0	64	32
22	100	30	125	24	14	13.0	72	34
24	104	33	140	26	14	13.0	76	38
25	114	36	150	27	16	14.5	82	42
29	124	39	165	31	18	16.5	88	44
32	140	45	190	34	20	18.5	100	50
35	154	50	208	38	20	18.5	114	56
38	169	56	234	41	22	20.5	125	64
41	169	56	234	44	22	20.5	125	64
44	190	65	260	47	25	22.5	140	68
48	206	67	275	51	28	25.5	150	75
51	229	72	300	55	32	29.5	165	78
54	229	76	300	58	32	29.5	165	78
57	243	78	330	61	34	31.5	115	88
64	276	88	375	69	38	35.5	200	100

Note : For wire ropes of intermediate sizes, the next larger size of thimble shall be used. Dimension M is the standard pin hole and the largest pin-hole for each thimble. Should a smaller pin-hole be required the diameter of this shall be stated in the enquiry and order.