

## Snatch Blocks



**SINGLE SHEAVE WITH HOOK**



**SINGLE SHEAVE WITH SHACKLE**

Sheave Size Inch	Wire Rope Size Inch	Capacity at F. OF S. 4:1 US Tons	Capacity at F. OF S. 2:1 US Tons
4 <sup>1/2</sup>	3/8 - 1/2	2 <sup>1/2</sup>	5
6	3/4	8	16
6	3/4	12	24
8	3/4	8	16
8	3/4	12	24
8	1 <sup>1/8</sup>	22	44
10	5/8 - 3/4	8	16
10	3/4	12	24
10	1 <sup>1/8</sup>	22	44
12	5/8 - 3/4	8	16
12	3/4	12	24
12	1 <sup>1/8</sup>	22	44
14	3/4	12	24
14	1 <sup>1/8</sup>	12	44

Heavy Duty High Load Blocks supplied as per customers requirements.

**DOUBLE SHEAVE WITH HOOK**



- Light champion snatch block as a double sheave block.
- Drop forged swivel hook or swivel shackle.
- Can be furnished with bronze bushing and roller bearings
- Opening features permits easy insertion of wire rope in both sheaves with removal of one bolt.
- Can be furnished with hook latch
- Pressure lube fittings
- Fatigue rated.

**DOUBLE SHEAVE WITH SHACKLE**



**Bearings**

The 4½” Block is fitted with special bronze bush but can be fitted with taper roller bearings with special bronze bush if requested.

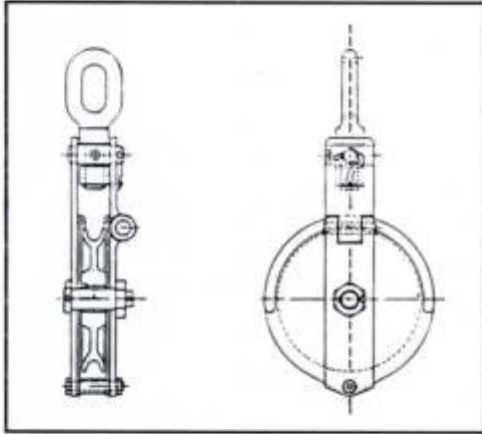
**Capacity**

The 4:1 capacity load given in the table are the maximum head fitting loads that should be applied to the blocks. These capacity loads are based on a factor of safety of 4:1 and the blocks are proof tested to twice this capacity load. The table also details a comparative capacity load at factor of safety 2:1 so that the users may compare the ‘High Load’ blocks with alternative makes based on this Lower Safety Factor.

WIRE ROPE FITTINGS

# Alternate Design Snatch Blocks

## Standard Design



Sheave Dia. (mm)	Wire Rope Dia. (mm)	SWL (tons)	TEST (tons)	Weight each (kgs)
10" (250)	20	3	12	0
12" (300)	20	3	12	43
12" (300)	24	5	20	46
14" (350)	24	5	20	59
14" (350)	28	6	24	65
16" (400)	28	6	24	85
16" (400)	29~32	8	32	98

Authorised Distributor



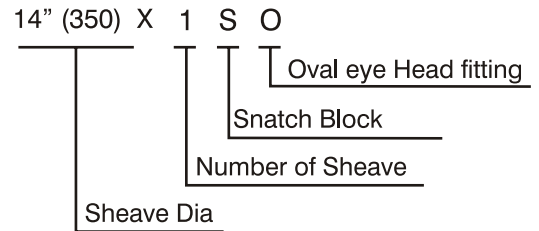
USHA MARTIN INDUSTRIES



R&B Group  
An ISO Company

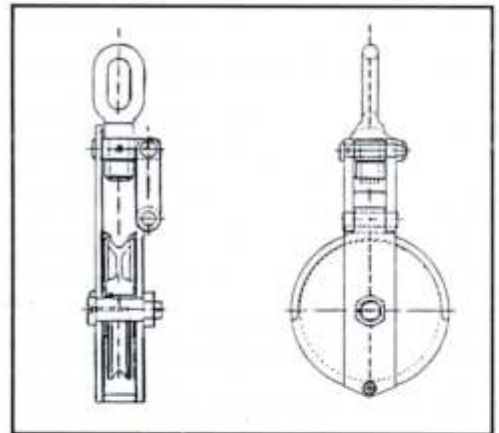
**JIANGSU ASIAN STAR  
ANCHOR CHAIN**

Example

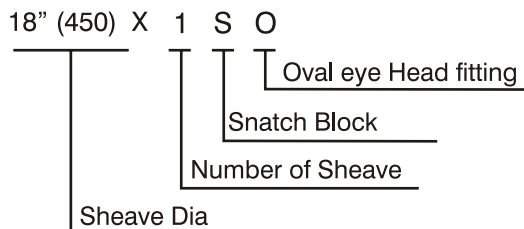


Sheave Dia. (mm)	Wire Rope Dia. (mm)	SWL (tons)	TEST (tons)	Weight each (kgs)
16" (400)	29~32	10	40	104
16" (400)	32~36	15	60	139
18" (460)	32~36	15	60	153
18" (460)	38~42	20	80	204
20" (500)	38~42	20	80	226
20" (500)	50~56	30	120	300
24" (610)	54~60	50	200	450

## Heavy Duty Snatch Block



Example



Specifications given are indicative and are subject to change.