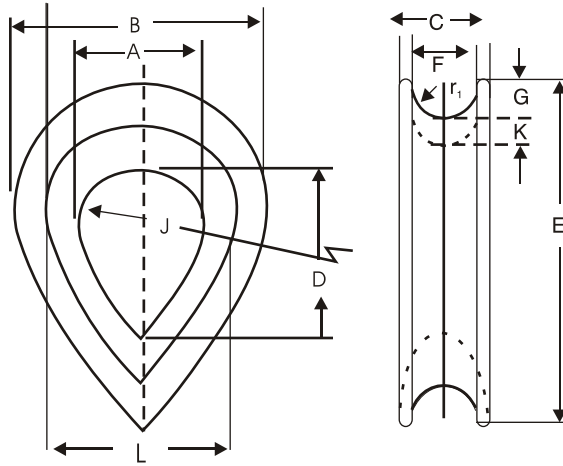


## Thimble for Wire Ropes

### ORDINARY THIMBLES



All dimensions in millimetres.

Nominal Size of Rope	A	B	*C Min	D	E	*F Min	G	r1	J Approx	K	L
08	22	38	13	34	54	09	04	3.5	62	04	30
10	24	46	15	38	64	11	06	5.5	76	05	34
12	32	60	19	44	80	13	08	7.5	90	06	44
14	32	60	21	44	80	15	08	7.5	90	06	44
16	40	72	23	58	98	17	08	7.5	114	08	56
18	44	80	29	66	110	19	10	9.5	125	08	60
20	50	94	31	74	124	21	12	11.0	150	10	70
22	58	102	34	82	134	24	121	11.0	165	10	78
24	64	108	36	92	150	26	12	11.0	176	10	84
25	70	118	37	108	162	27	14	13.0	200	10	90
29	76	132	41	112	176	31	16	14.5	230	12	100
32	96	152	44	134	196	34	16	14.5	250	12	120
35	104	174	48	152	228	38	19	17.5	300	16	136
38	114	198	54	165	254	41	24	22.0	330	18	150
41	114	198	56	165	254	44	24	22.0	330	18	150
44	125	222	57	178	285	47	26	23.5	355	25	175
48	134	246	67	190	315	51	28	25.5	380	28	190
51	140	256	70	330	330	55	30	27.5	400	28	196
54	140	256	70	200	330	58	30	27.5	400	28	196
57	146	270	76	216	355	61	32	29.5	425	30	206
64	156	308	95	240	400	69	44	41.0	450	32	220
70	200	400	120	275	500	75	60	57.0	480	40	280

Note : For wire ropes of intermediate size, the next larger size of thimble shall be used.  
 These dimension are minimum for thimbles of nominal size up to and including 41 only