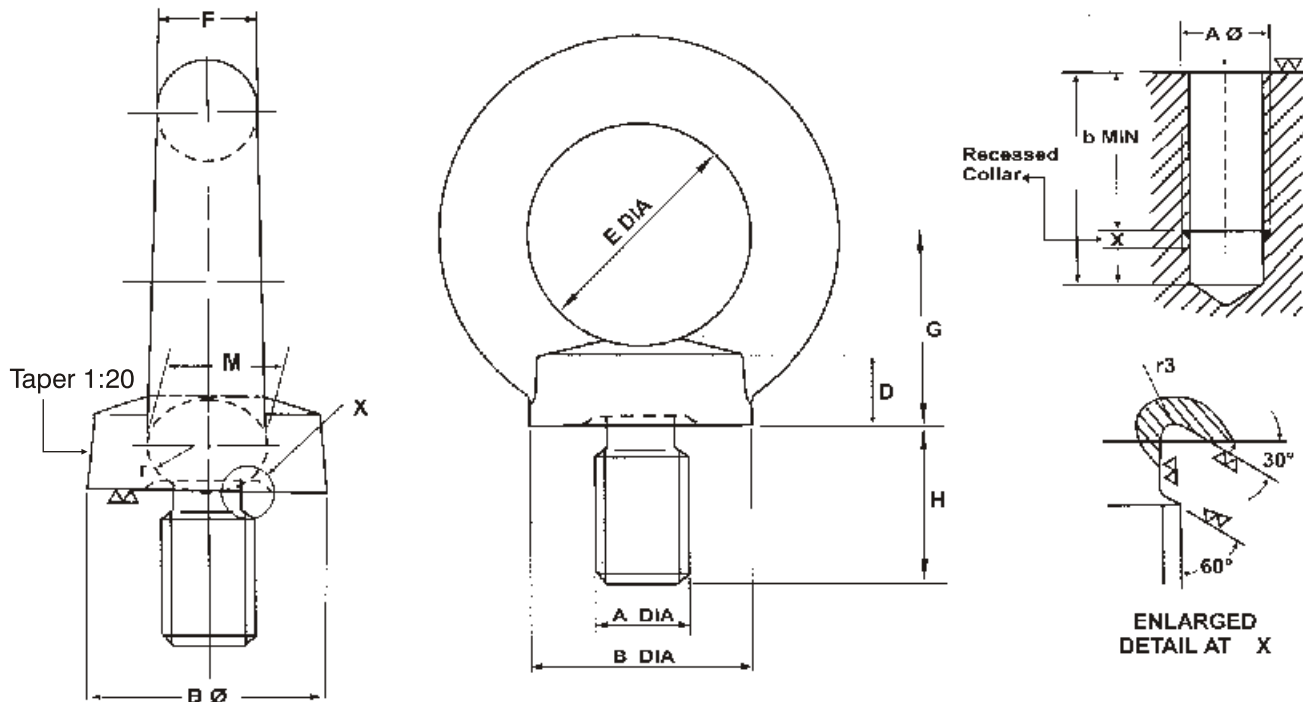


# Mild Steel Eye Bolts

## Mild Steel Forged Eye Bolts With Collar

IS: 4190/1967



S.W.L At 0° kg.	Size Dia. A	Coarse Pitch	B	D	E	F	G	H	M	Approx wt. each kg.
85	8	1.25	20	6	20	8	18	12	10	0.06
150	10	1.50	25	8	25	10	22	18	12	0.11
220	12	1.75	30	10	30	12	26	22	14	0.18
380	16	2.00	35	12	35	14	30	28	16	0.28
570	20	2.50	40	14	40	16	35	30	19	0.44
810	22	2.50	45	16	45	18	40	35	21	0.55
1050	24	3.00	50	18	50	20	45	38	24	0.74
1700	30	3.50	65	22	60	24	55	45	28	1.66
2500	36	4.00	75	26	70	28	65	55	32	2.7
3400	42	4.50	85	30	80	32	75	65	38	4.0
5200	48	5.00	100	35	90	38	85	70	46	6.4
6500	56	5.50	110	38	100	42	95	80	50	8.8
8700	64	-	120	42	110	48	105	90	58	-
13000	72	-	150	50	140	60	130	105	72	-
17000	80	-	170	55	160	68	150	120	80	-
20000	100	-	190	60	180	75	165	130	88	-

All dimensions in mm

Proof Load = 2 x S.W.L. (Safe Working Load)

Other threads can also be supplied to special order.

Specifications given are indicative and are subject to change.