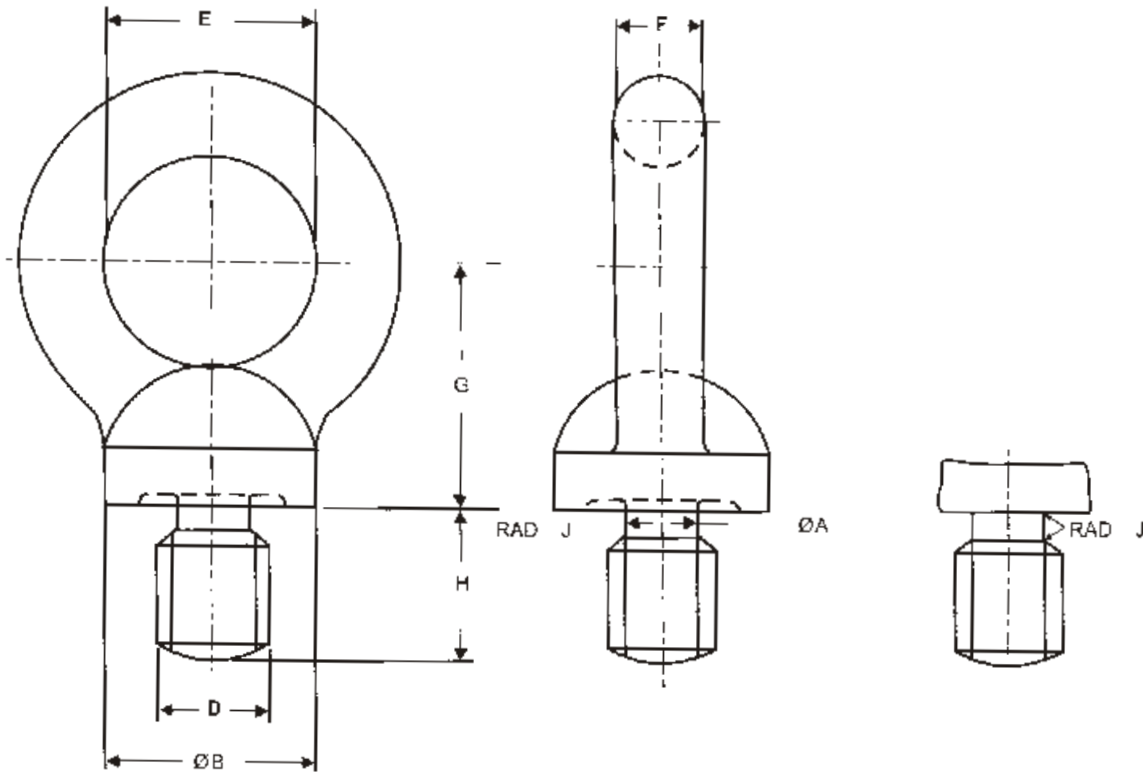


High Tensile Eye Bolts

High Tensile Forged Eye Bolts With Collar

IS: 4190/84



| Thread Size D | S.W.L @ 0° (kg.) | A mm | B mm | E mm | F mm | G mm | H mm | J mm | Coarse Pitch |
|---------------|------------------|------|------|------|------|------|------|------|--------------|
| M8 | 160 | 6 | 20 | 20 | 6.3 | 20 | 15 | 1 | 1.25 |
| M10 | 250 | 7.7 | 24 | 24 | 8 | 25 | 17 | 1 | 1.5 |
| M12 | 400 | 9.4 | 28 | 28 | 9.5 | 30 | 20 | 1 | 1.75 |
| M16 | 630 | 13 | 34 | 34 | 12.5 | 36 | 24 | 1 | 2.0 |
| M20 | 1000 | 16.4 | 40 | 40 | 16 | 45 | 27 | 1 | 2.5 |
| M24 | 1600 | 19.6 | 48 | 48 | 19 | 53 | 31 | 2 | 3.0 |
| M30 | 2500 | 25 | 56 | 56 | 24 | 64 | 39 | 2 | 3.5 |
| M36 | 4000 | 30.3 | 67 | 67 | 28 | 75 | 48 | 3 | 4.0 |
| M42 | 6300 | 35.6 | 80 | 80 | 34 | 90 | 56 | 3 | 4.5 |
| M48 | 8000 | 41 | 95 | 95 | 38 | 100 | 65 | 3 | 5.0 |
| M56 | 10000 | 48.3 | 112 | 112 | 45 | 119 | 73 | 4 | 5.5 |
| M64 | 16000 | 55.7 | 125 | 125 | 50 | 135 | 85 | 4 | 6.0 |
| M72 | 20000 | 63.7 | 140 | 140 | 58 | 153 | 95 | 4 | 6.0 |
| M80 | 25000 | 71.7 | 160 | 160 | 63 | 165 | 110 | 4 | 6.0 |
| M90 | 32000 | 81.7 | 180 | 180 | 71 | 180 | 125 | 5 | 6.0 |
| M100 | 40000 | 91.7 | 200 | 200 | 80 | 195 | 140 | 5 | 6.0 |

Specifications given are indicative and are subject to change.