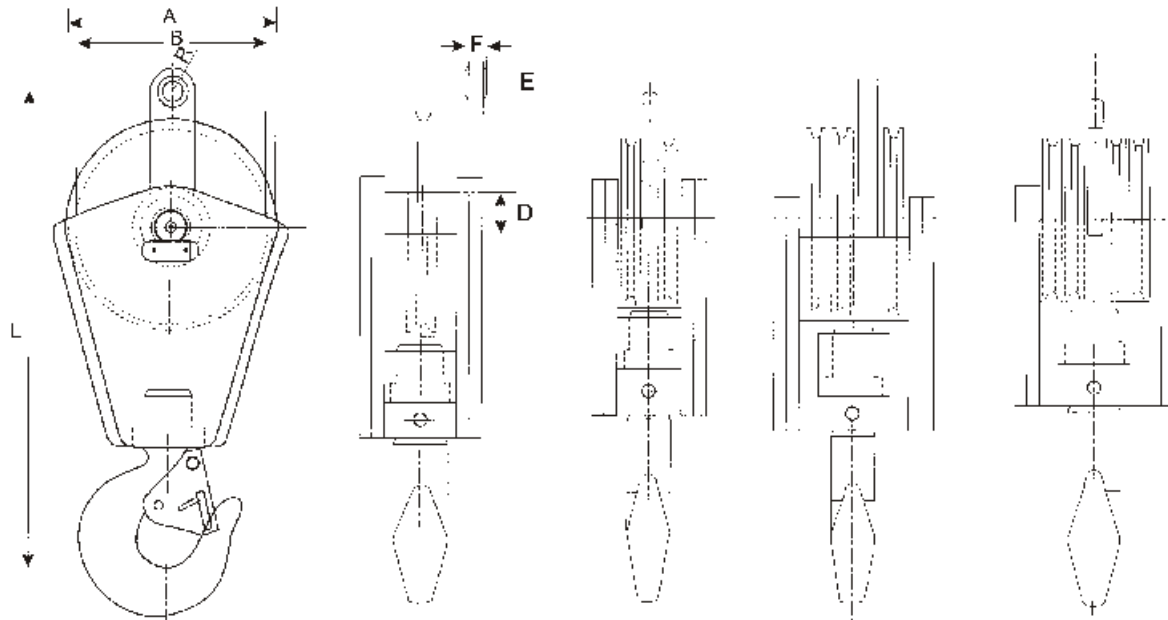


Crane Blocks



S.W.L on hook tons	No. of Sheaves	A mm	B mm	For Dia. Wire Rope mm	D mm	±L mm	E mm	F mm	R mm	Approx Weight. Per Pc. kg.
10	1	350	300	20	55	720	33	30	35	175
13	1	350	300	20	70	790	39	35	40	190
17	1	450	400	22	75	960	48	40	50	210
12	2	300	250	18	40	750	30	28	30	130
12	2	350	300	20	40	800	30	28	30	170
27	2	400	250	22	70	1060	42	40	42	220
27	2	450	400	22	70	1110	42	40	42	260
35	2	450	400	22	80	1220	48	45	50	280
15	3	300	250	18	45	750	30	25	30	145
18	3	350	300	20	50	850	30	28	30	190
30	3	400	350	22	60	1050	39	35	40	315
35	3	400	350	22	70	1125	39	35	40	315
20	4	350	300	20	55	870	30	28	30	290
27	4	350	300	20	55	980	30	28	30	290
32	4	350	300	20	60	1075	33	30	33	310
45	4	450	400	22	70	1300	40	35	40	475
45	4	500	450	26	70	1300	40	35	40	500

NOTE

- More and larger Sheaves: on request
- Hooks: plain or with thrust bearing
- Bearing type of sheaves: Roller / Ball Bearing
- Safety latch: on request
- Also available with Ramshorn hook.
- Weight: can be varied on request.
- Crane blocks of smaller & larger capacities are available on order.

Specifications given are indicative and are subject to change.