

Bull Dog Grips

IS: 2361 / 1970

Drop Forged Steel Wire Rope Bull Dog Grips

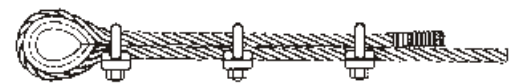
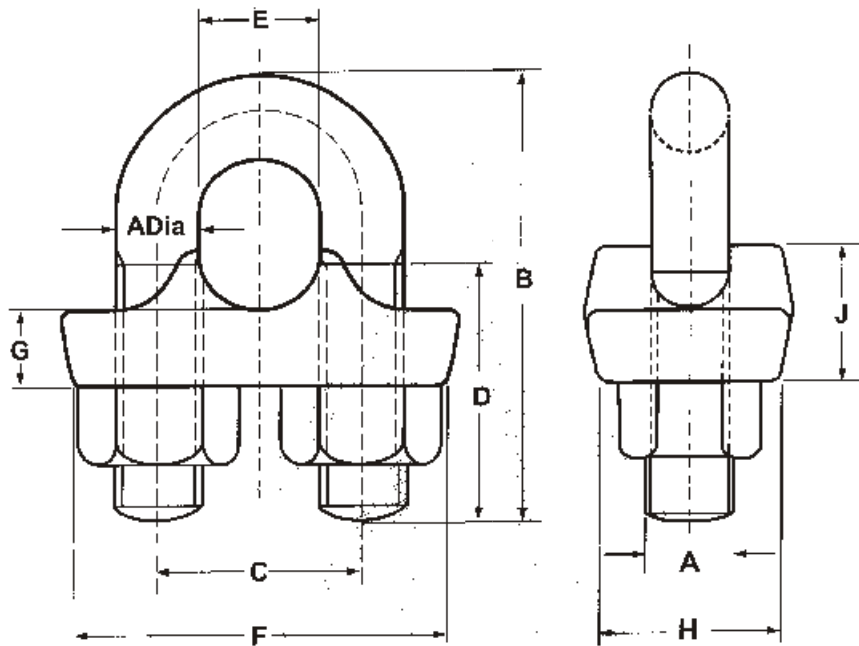


Figure 1 : Right way of applying Bulldog Grips.



Figure 2 : Wrong way of applying Bulldog Grips.

Specifications

Nominal Size (Dia. of Rope) d	A	B (3A+2d)	C (E+A)	D (2A+0.6d)	E (1.075d)	F (C+2A)	G (A)	H (2.3A)	J (Approx A)
8	M8	40	17	21	9	33	8	18	14
9	M10	50	21	26	11	41	10	23	18
10	M10	50	21	26	11	41	10	23	18
11	M12	60	25	31	13	49	12	28	22
12	M12	60	25	31	13	49	12	28	22
13	M12	64	27	32	15	51	12	28	22
14	M12	64	27	32	15	51	12	28	22
16	M14	74	31	38	17	59	14	32	25
18	M14	82	36	40	22	64	14	32	25
19	M14	82	36	40	22	64	14	32	25
20	M14	82	36	40	22	64	14	32	25
22	M16	92	40	45	24	72	16	37	29
24	M20	110	47	55	27	87	20	46	36
26	M20	118	51	57	31	91	20	46	36
28	M20	118	51	57	31	91	20	46	36
32	M20	124	54	59	34	94	20	46	36
35	M22	136	60	65	38	104	22	51	40
36	M22	142	63	67	41	107	22	51	40
38	M22	142	63	67	41	107	22	51	40
41	M25	157	69	75	44	119	25	58	45

Note: For intermediate sizes of wire ropes, the next larger size of bull dog grip shall be used.