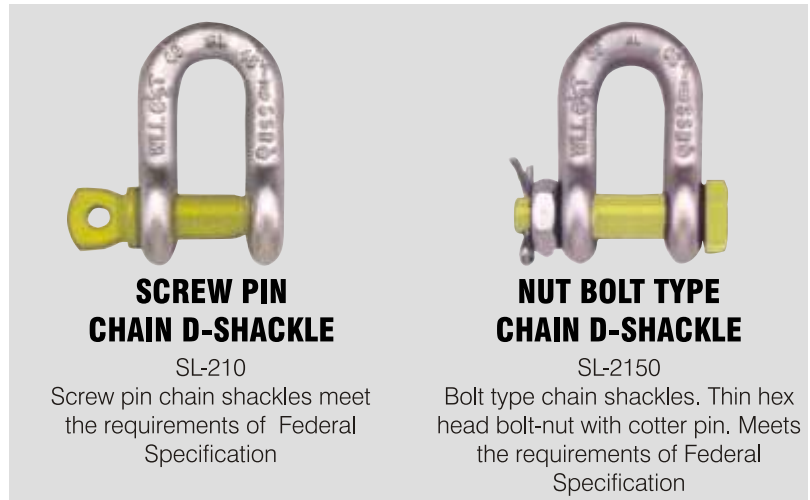
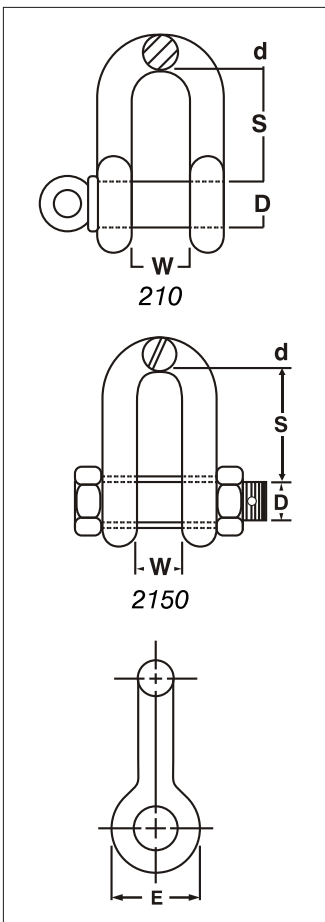
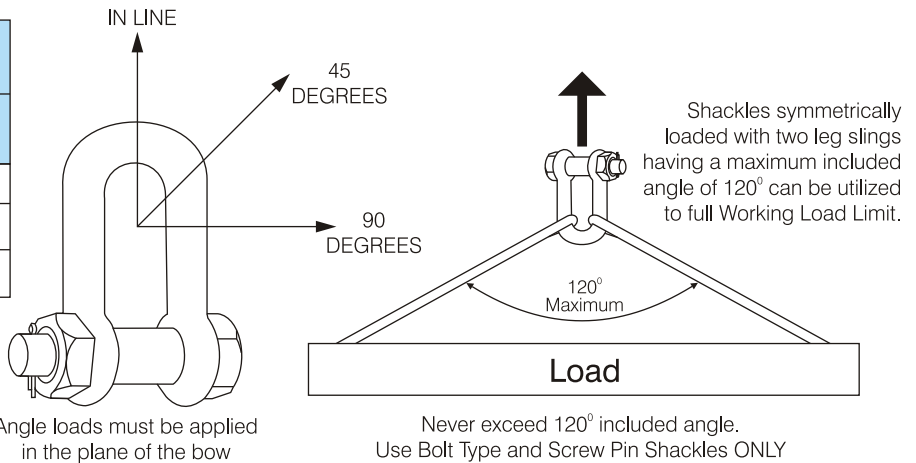


Chain D-Shackles

- Working Load Limit permanently shown on every shackle.
- Forged - Quenched and Tempered, with alloy pins.
- Capacities 0.5 ton to 150 tons.
- Look for the Yellow Pin., the mark of genuine SL quality.
- Shackles can be furnished proof tested with certificates to designated standards, such as ABS, DNV, Lloyds, or other certification. Charges for proof testing and certification available when requested at the time of order.
- Shackles are galvanized or black
- Made from SAE 8620



Side Loading reduction Chart For Screw Pin & Bolt Type Shackles Only	
Angle of Side load from vertical in line of shackle	Adjusted WLL
0° In Line	100% of Rated WLL
45° From In Line	70% of Rated WLL
90° From In Line	50% of Rated WLL



Working Load Limit * Tonnes	BODY DIA d		PIN DIA D		JAW INSIDE WIDTH (W) mm	INSIDE LENGTH (S) mm	EYE OUTSIDE DIA (E) mm	Average weight with Nut Bolt Type Pin Kg.
	mm	in	mm	in				
1	10	3/8	12	1/2	18	35	25	0.22
2	12	1/2	16	5/8	20	42	32	0.34
3 1/4	16	5/8	19	3/4	27	51	38	0.60
4 3/4	19	3/4	22	7/8	32	60	44	1.00
6 1/2	22	7/8	25	1	35	72	50	1.60
8 1/2	25	1	29	1 1/8	44	82	58	2.40
9 1/2	29	1 1/8	32	1 1/4	46	91	64	3.50
12	32	1 1/4	35	1 3/8	52	100	70	4.75
13 1/2	35	1 3/8	38	1 1/2	57	111	76	6.25
17	38	1 1/2	44	1 3/4	60	122	88	8.40
20	42	1 5/8	48	1 7/8	67	146	96	11.00
25	44	1 3/4	50	2	73	162	100	14.00
35	50	2	56	2 1/4	82	172	114	21.00
42	56	2 1/4	64	2 1/2	90	190	138	31.53
55	64	2 1/2	70	2 3/4	105	200	140	38.00
62*	70	2 3/4	80	3 1/4	108	210	160	51.54
85*	76	3	82	3 3/8	125	215	171	57.00
100*	90	3 1/2	100	4	133	343	203	100.00
150*	100	4	110	4 1/4	140	368	229	150.00

* Note : Maximum Proof Load is 2 times the Working Load Limit or as designated.
 Minimum Ultimate Load is 5 times the Working Load Limit.

Specifications given are indicative and are subject to change.